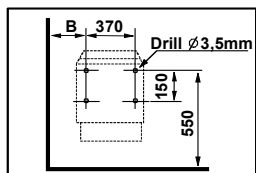
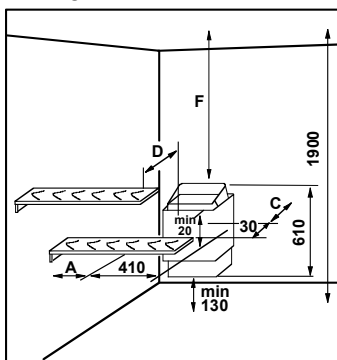
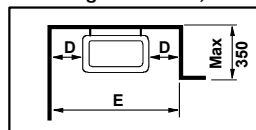




Safety distances, mm



Mounting on the wall, mm



Mounting into the recess, mm

CUP

ELECTRIC SAUNA HEATER

Reliable and safe HELO CUP sauna heaters are an excellent choice for traditional Finnish type sauna.

These compact wall mounted heaters are designed for domestic small and mid-size sauna rooms. They are easy to assemble and easy to use with built-in timer and thermostat or with separate control unit.

With the built-in timer you can pre-select the time when you want the heater to be turned on, max. 8 hours beforehand.

The running time is 4 hours.

- Available in black or stainless steel
- The power range covers sauna rooms with volume from 2m³ up to 13 m³
- 3 heating elements
- Voltage 230V 1N~: 3,0-6,0 kW 240V 1N~: 3,0-6,0 kW
400V 3N~: 3,0-9,0 kW 415V 3N~: 3,0-9,0 kW
- ST-model with timer 8 + 4 hours
- Overheating protection
- Controls in the front, can be changed to left or right side of the heater
- D-model with separate control unit

Heater	CUP 30	CUP 45	CUP 60	CUP 80	CUP 90
Power kW	3,0	4,5	6,0	8,0	9,0
Volume of sauna room m ³	2-4	3-6	5-9	8-12	9-13
Min. height of sauna, mm	1900	1900	1900	1900	1900

Minimum distances, mm

Heater	A	B	C	D	E	F
CUP 30	30	50	280	50	540	1100
CUP 45	50	70	280	80	580	1100
CUP 60	70	90	280	100	650	1150
CUP 80	100	120	300	150	750	1150
CUP 90	100	120	300	150	-	1150

SAUNATEC GROUP LTD

P.O. Box 15

FIN-10901 HANKO, FINLAND

Tel. +358-207-530 600

Fax. +358-19-248 5043

info@saunatec.fi

www.saunatec.fi

